

Instrument Filter Dryers and Cartridge Refills



Applications: Cost effective Instrument Filtration for pneumatic controllers and other instruments. Filtration down to 4 Microns. Removes: Particles, Moisture, H₂S, Odorant, and other impurities that can effect instrument performance.

Specifications: Filtration Level: 4 Microns
MAOP: 1500 PSIG
Temp Range: -40 °F to 140 °F
Construction: Carbon Steel
Connections: 1/4" NPT

Versions: FD-19 for flow rates up to 3000 CFH
FD-4 for flow rates up to 3000 CFH
FD-5 for flow rates up to 3000 CFH

Media: Silica Gel (standard)
Activated Charcoal

Features: Epoxy Coated Corrosion Resistant Housing
Spin on type Media Canister easily replaced in the field **Canisters are interchangeable with other manufacturers**



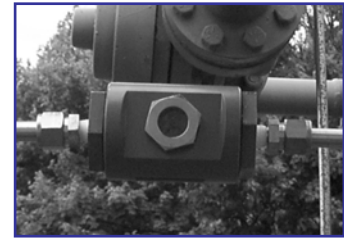
Available Options:



Built-In Bypass Manifold



Canister Removal Tool



In-Line Moisture Indicator

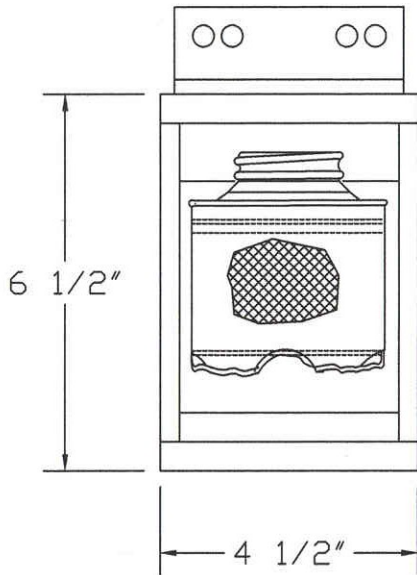
IMAC Systems, Inc.

PO Box 1605, Tullytown, PA. 19007
Tel: (215) 946-2200 or 1-800-955-4GAS
Fax: (215) 943-2984
Email: sales@imacsystems.com
Web: www.imacsystems.com

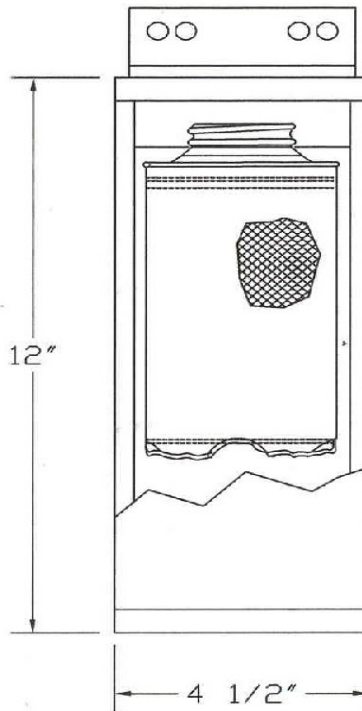
Distributed By:

Product Dimensions:

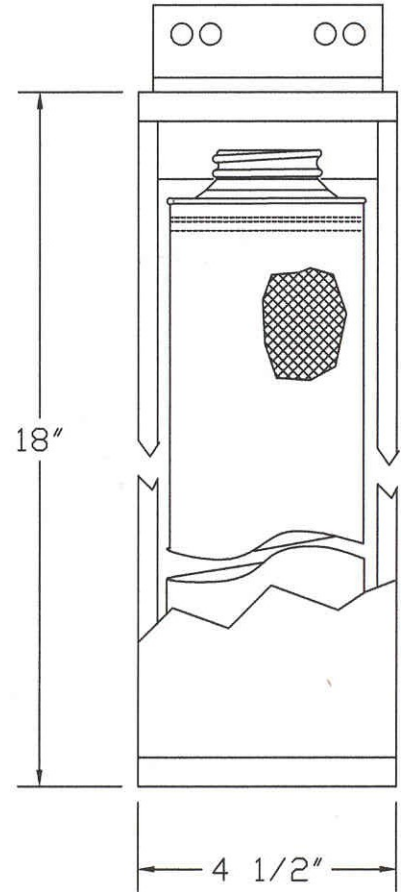
FD-19



FD-4



FD-5



**Sizing requirements are based upon the specific application's installation space, expected moisture levels and expected cartridge change-out rates.

IMAC Systems, Inc.

PO Box 1605, Tullytown, PA. 19007
Tel: (215) 946-2200 or 1-800-955-4GAS
Fax: (215) 943-2984
Email: sales@imacsystems.com
Web: www.imacsystems.com

Distributed By: