

IMAC STRAINERS

THREADED, FLANGED AND GASKET (WAFER)



Last Line of Defense

Protect downstream equipment from dangerous line debris such as loose scale, weld beads, grit, and other damaging foreign material.

Inexpensive and Highly Effective



IMAC Tees

with screen cylinders

Easy To Clean:

- Just remove screen via the end cap and back flush

Quality Construction:

- Screens are 100% Stainless Steel
- Seal gaskets made from a special polyvinyl with superior resilience

Screen Mesh Available:

- 20,40,60 (standard), 80, 100 and 120

Optional - Pete's Plug

Allows pressure and temperature readings quickly

Gasket (Wafer) Strainers

- Wafer construction, easy to install between 2 flanges—no extra space required
- Available in full-face style or ring style—ANSI 150 or ANSI 300
- Serves as a functional gasket
- Gasket Material - High quality Garlock 3000 Asbestos Free

Quality Construction:

- Screens are 100% Stainless Steel

Screen Mesh Available:

- 20, 40, 60 (standard), 80, 100 and 120

Reducing Tees also available—consult factory



Systems, Inc.

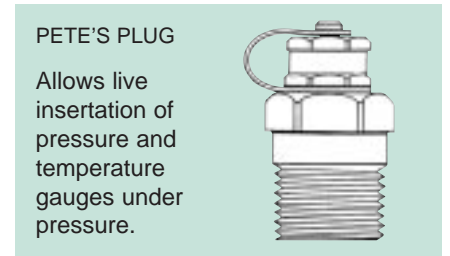
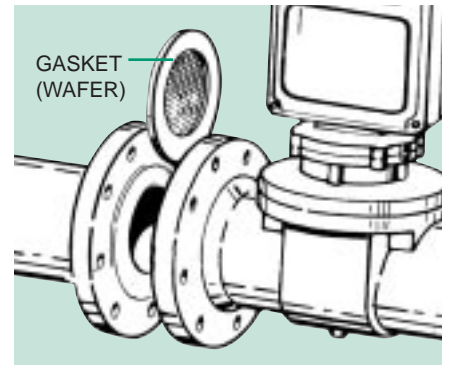
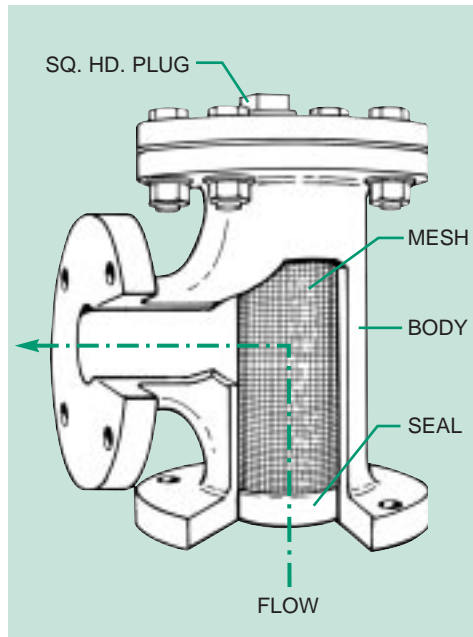
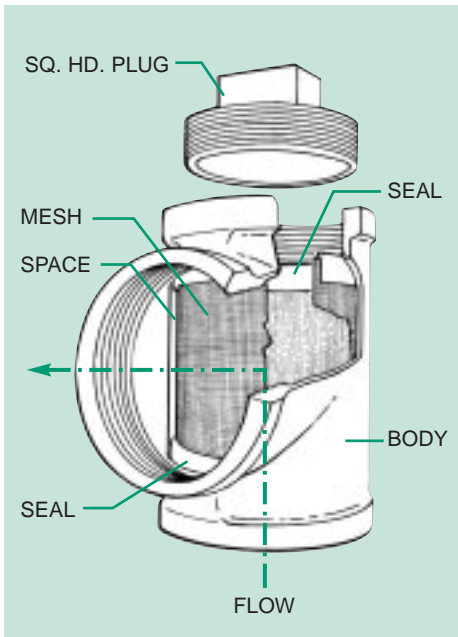
International Measurement and Control Systems

**Manufacturers/Distributors of
Precision Gas Measurement Equipment**

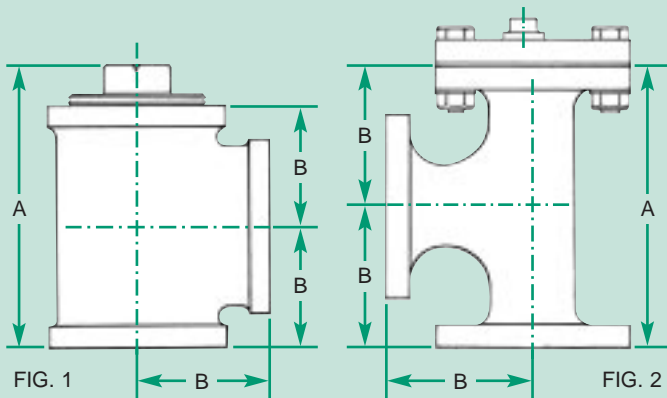
IMAC SYSTEMS, INC.

P.O. Box 1605, 90 Main Street, Tullytown, PA 19007 1-800-955-4GAS Tel: (215) 946-2200 Fax: (215) 943-2984
www.imacsystems.com Email: sales@imacsystems.com

Distributed by:



DIMENSIONS



THREADED

| FIG. 1 | A | B |
|---------------------------------|---------------------------------|-----------------------------------|
| 1" | 3 ⁵ / ₈ " | 1 ¹ / ₂ " |
| 1 ¹ / ₂ " | 4 ³ / ₄ " | 1 ⁷ / ₈ " |
| 2" | 5 ¹ / ₂ " | 2 ¹ / ₄ " |
| 3" | 7 ¹ / ₈ " | 3 ³ / ₁₆ " |
| 4" | 9 ¹ / ₂ " | 3 ¹⁵ / ₁₆ " |

FLANGED

| FIG. 2 | A | B |
|--------|------------------------------------|---------------------------------|
| 2" | 9 ⁷ / ₁₆ " | 4 ¹ / ₂ " |
| 3" | 11 ¹³ / ₁₆ " | 5 ¹ / ₂ " |
| 4" | 13 ⁷ / ₈ " | 6 ¹ / ₂ " |

Proper Installation
 These diagrams show the typical positioning of the IMAC Tee Strainer on a gas line for both top and side inlet meter installations.

Helpful hint: Install the IMAC Tee Strainer ahead of the regulator to protect both the meter and the regulator, as well as to permit downsizing.

ORDERING INFORMATION

1. Specify Size
2. Specify Type — Threaded, Flanged, Gasket (Wafer), Full Face or Ring
3. Specify Mesh
4. Pete's Plug Optional