

Pilot Gas Heater

Engineered. Certified. Proven.

The CaloritechTM Pilot Gas Heater is specifically designed to heat the pilot tube gas stream of an automatic pressure reducing valve. A large pressure reduction through the pressure reducing valve will create a temperature drop due to the Joule-Thomson effect. This temperature drop can cause moisture in the gas stream to accumulate and damage the internal seals in the valve.

The Pilot Gas Heater combines a high efficiency aluminum casting with a digital temperature controller to maintain the pilot tube gas stream temperature regardless of the gas flow rate. The precise temperature control of this heater prevents damage to valve seals caused by freezing of entrained moisture while maintaining a temperature low enough to prevent damage by overheating.

Features

- Digital indicating display of operating temperature and setpoint
- Hazardous locations ratings: Class I, Div.1&2, Groups A,B,C,D; Class II, Div.1&2, Groups E,F,G; Class III, Div.1&2, Zones I&2, Groups IIA, IIB, IIC
- Electronic controller for precise temperature control
- Internally adjustable temperature setting
- No maintenance required
- Impact resistant tempered glass
- Compact size - see back for dimensions
- CaloritechTM x-Max[®] anodized aluminum enclosure
- Multiple conduit entries
- 304SS heavy wall coiled tube
- Aluminum casting for efficient heat transfer
- 1500 PSIG operating pressure
- Replaceable heating element
- High limit protection
- 3/8" NPT inlet and outlet connections



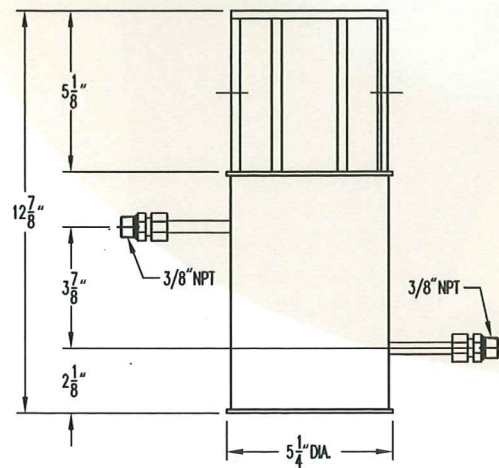
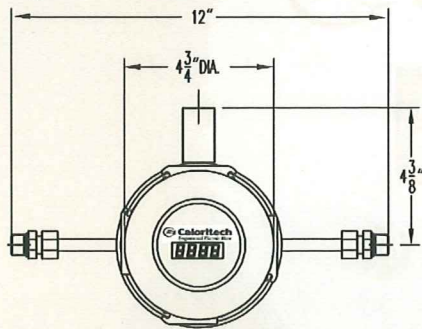
Pilot Gas Heater

Table 1 - Standard Heater Listing

| Part # | Volts | Ph. | Wattage |
|----------|-------|-----|---------|
| PGH02511 | 120 | 1 | 250 |
| PGH02521 | 208 | 1 | 250 |
| PGH02531 | 240 | 1 | 250 |
| PGH03511 | 120 | 1 | 350 |
| PGH03521 | 208 | 1 | 350 |
| PGH03531 | 240 | 1 | 350 |
| PGH05011 | 120 | 1 | 500 |
| PGH05021 | 208 | 1 | 500 |
| PGH05031 | 240 | 1 | 500 |



Figure 1 - Heater Dimensions



Optional Features

- External setpoint adjustment
- Special voltages available
- Special wattages available
- Special mounting brackets

