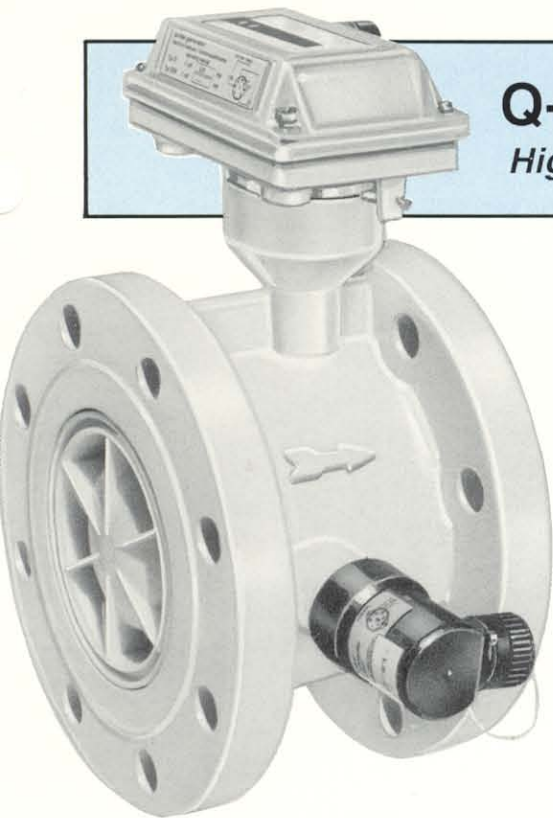


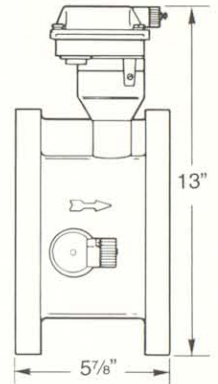


Q-400 QUANTOMETER

High Capacity 4" Turbine Gas Meter

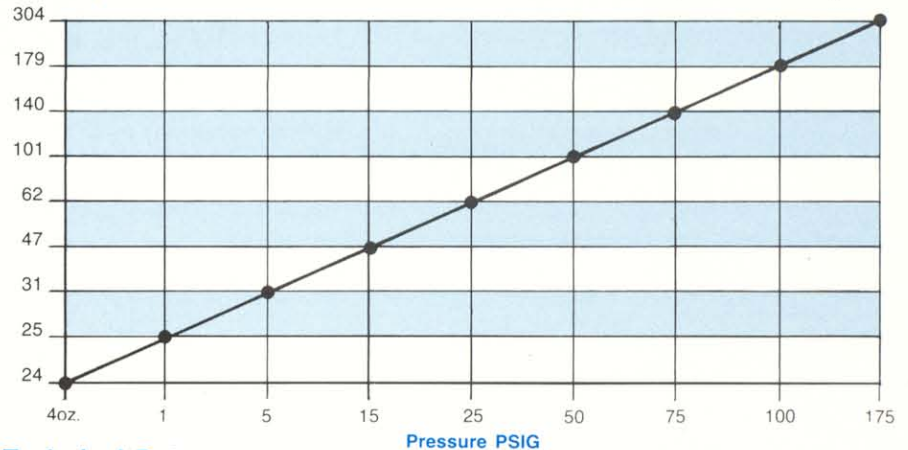


Compact, accurate QUANTOMETERS are ideally suited for measurement of natural gas, Propane, Butane, Nitrogen, Methane, CO₂, CO, Helium, Ethane, and a variety of other industrial gases including air at both high and low pressures. All meters are capable of pulse generation for transmission of data to accessory equipment.



Capacity vs Pressure Graph

Rated Capacities—SCFH 000's Line Pressure—PSIG



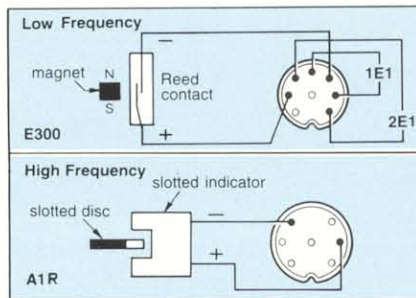
STANDARD FEATURES

- Environmental Temp. Range 20° to 140°F.
Gas Temp. Range 0-120°F.
- Heavy Duty Construction
- ANSI 150 Flanged Connections
- No-load Magnetic Coupling
- 355° Rotatable Register, Odometer Style
- Max. Operating Pressure 175 PSI
- Max. Capacity 24,000 CFH, 20-1
- 20.1 Turndown
(See Accuracy Graph)
- Maintenance Free
- Mounts in Vertical or Horizontal Orientation
- Dual Low Frequency Pulse Output
- Removable Cartridge for Easy Repair / Maintenance Free

Optional Features

- Max Working Pressure 265 PSI
- External Lubrication for Severe Service Applications
- Type II Register for External Mechanical Output Drives

Technical Data

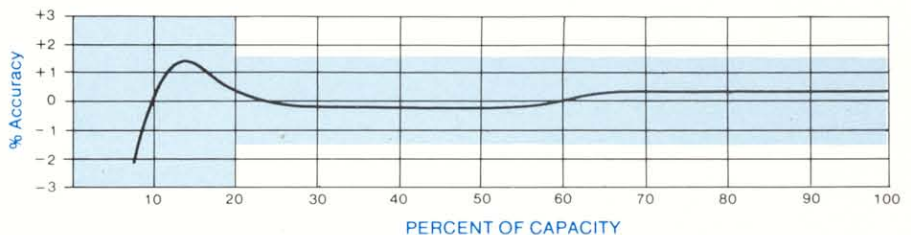


1E1 and 2E1
(Two Independent Form A Pulse Output)
Max. Voltage: 24 Vdc 1 Pulse/100 ft.³
Max. Current: 50mA
Max. Capacity: 25 Watts

A1R Pulser (Inductive Proximity Sensor)
185 Pulses per Cubic Ft.
Standard Voltage: U_{in} = 8VDC
Current Consumption:
Active surface open - I_≥3mA
Active surface open - I_≤1mA

Q-400 Accuracy

The accuracy curve illustrates that the error over the maximum capacity range is within guaranteed limits. An increase of density — e.g. higher line pressure — does not change the accuracy.



Systems Inc.

International Measurement and Control Systems

P.O. Box 1605, Tullytown, PA 19007

1-800-955-4GAS Tel: (215) 946-2200 FAX: (215) 943-2984

Distributed by: