

Diaphragm Meters

American Meter is the industry's leading supplier of diaphragm meters with models for applications from domestic service to large industrial users. The housing consists of a one-piece cast aluminum alloy body and aluminum alloy top and covers. American Meter diaphragm meters have an outstanding record for durability and reliability. Features include:

- light, compact profiles
- durable valve material to minimize wear
- one-piece body design to eliminate the need for machined joints and gaskets, and the possibility of internal leakage
- molded, convoluted diaphragms for smooth operation and long life
- low-friction seals
- adjustable tangents
- rugged flag rods for positive alignment and sustained accuracy
- large, self-lubricating bearings
- two-part epoxy primer and acrylic finish coat
- automatic meter reader compatibility

Diaphragm Meter Options

All diaphragm meters can be supplied with temperature compensation. This feature converts the volume of gas measured at actual (line) temperatures from -30° to +140° F (-34° to 60° C) to the equivalent volume at standard 60° F (15° C) base temperature.

Meters can also be supplied with your choice of a circle-type, odometer index, or pressure-compensating index.

Meter Accessories

Meters can be supplied with the following accessories (see pages 15-17).

- index types
- security seals
- index box (non-yellowing)
- meter bar
- vent elbow
- offset valve body

Meter Capacities

Diaphragm Meter Capacities *									
scfh (Sm ³ /h)									
Line Pressure	AT-210	AT-250 AC-250 AM-250 AR-250	AL-425	AC-630	AL-800	AL-1000	AL-1400	AL-2300	AL-5000
0.25 psig (17 mBarg)	210 (5.9)	250 (7.1)	425 (12.0)	630 (17.8)	800 (22.7)	1000 (28.3)	1400 (39.6)	2300 (65.1)	5000 (141.6)
2 psig (14 mBarg)	424 (12.0)	550 (15.6)	955 (27.0)	1390 (39.4)	1850 (52.4)	2400 (68.0)	3265 (92.5)	5440 (154.0)	12000 (339.8)
5 psig (345 mBarg)	462 (13.1)	593 (16.8)	1100 (31.1)	1515 (42.9)	2100 (59.5)	2700 (76.5)	3700 (104.8)	6200 (175.6)	13500 (382.3)
10 psig (690 mBarg)	-	-	1350 (38.2)	1710 (48.4)	2600 (73.6)	3400 (96.3)	4600 (130.3)	7700 (218.1)	1700 (481.4)
20 psig (1.4 Barg)	-	-	1700 (48.1)	2010 (56.9)	3200 (90.6)	4100 (116.1)	5600 (158.6)	9400 (266.2)	20600 (583.4)
25 psig (1.7 Barg)	-	-	1880 (53.2)	2160 (61.2)	3500 (99.1)	4600 (130.3)	6200 (175.6)	10400 (294.5)	23000 (654.4)
50 psig (3.4 Barg)	-	-	-	-	5100 (144.4)	6600 (186.9)	9000 (254.9)	15000 (424.8)	33000 (934.6)
75 psig (5.2 Barg)	-	-	-	-	6600 (186.9)	8540 (241.8)	11650 (329.9)	19400 (549.4)	42700 (1209.1)
100 psig (6.9 Barg)	-	-	-	-	7800 (220.9)	10100 (286.0)	13800 (390.8)	23000 (651.4)	50500 (1,430.2)

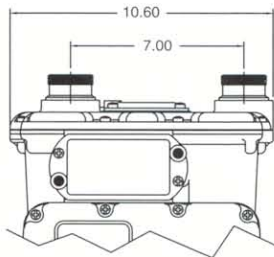
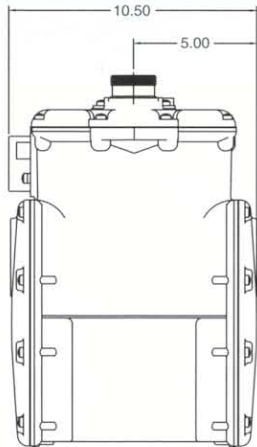
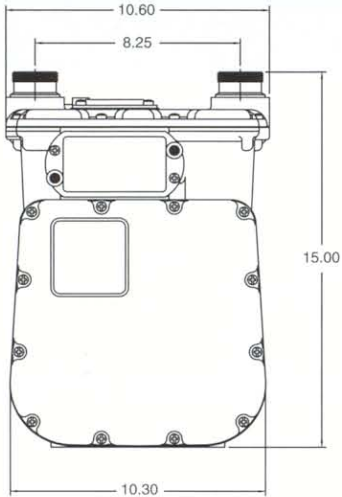
* Capacity data based upon natural gas with specific gravity of 0.60.

AL-425

- Nominal capacity = 425 scfh (12.0 Sm³/h)
- Maximum pressure rating = 10 psig or 25 psig (690 mBarg or 1.7 Barg)
- Top connections



AL-425



WEIGHT = 21 lbs.

Reference Materials

- Handling and Installation IM-3715
- Operation/Maintenance
- Manual & Video 52722P002
- Parts List PL-3806